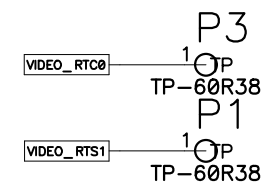
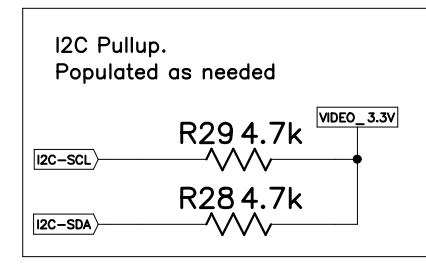
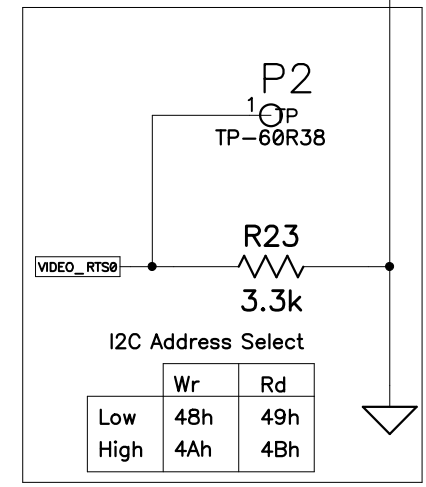
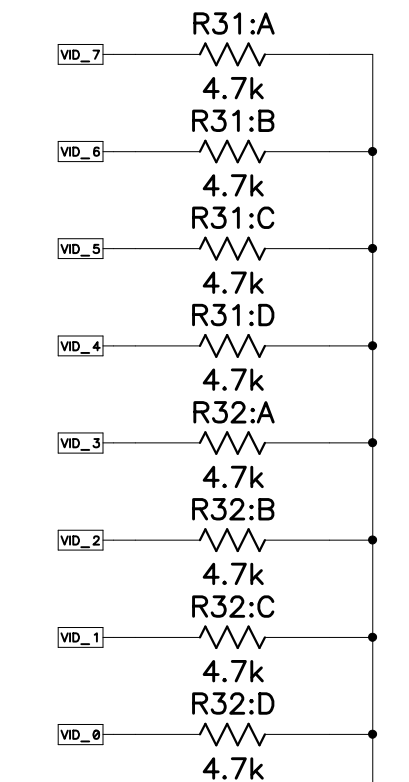
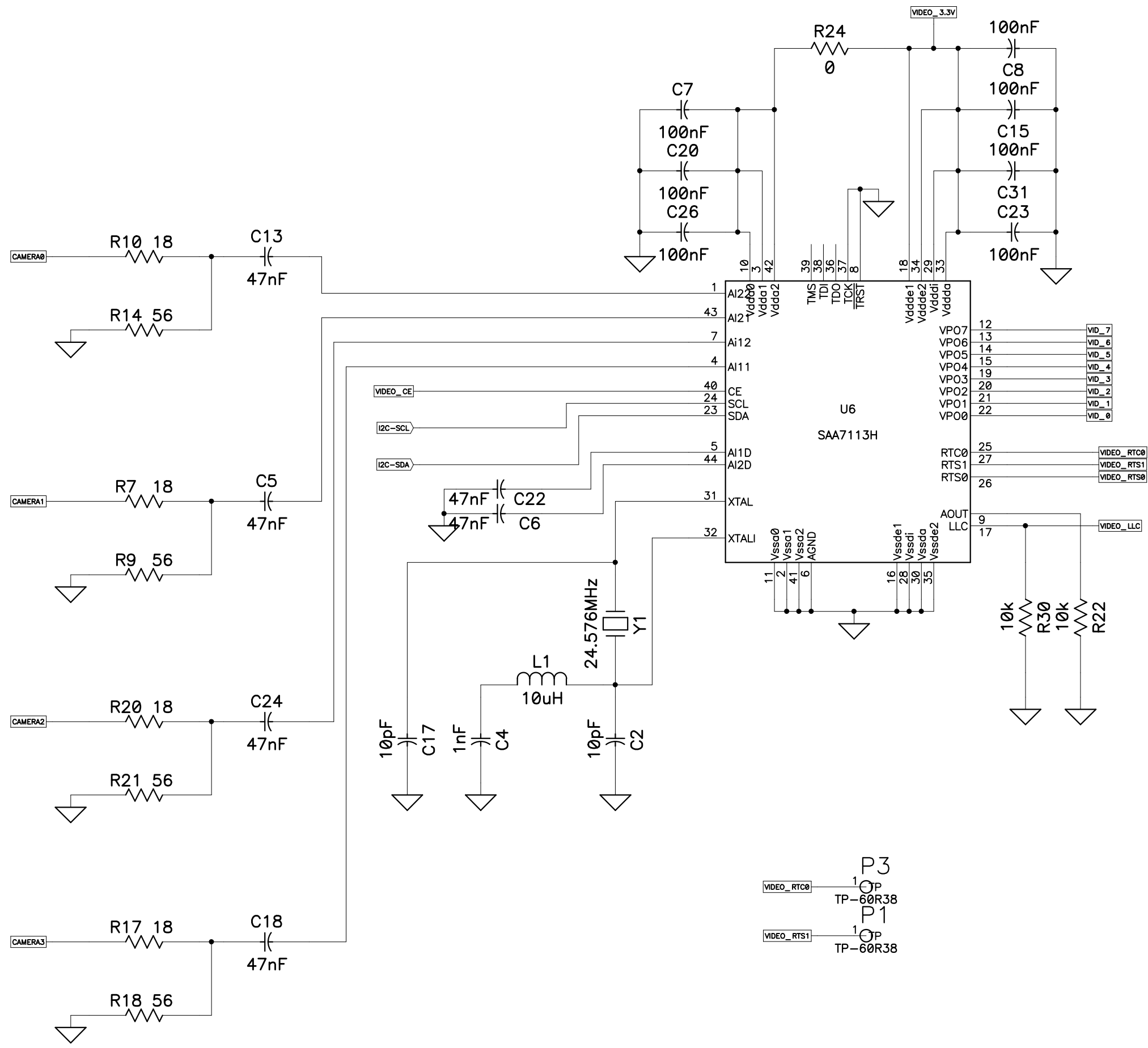
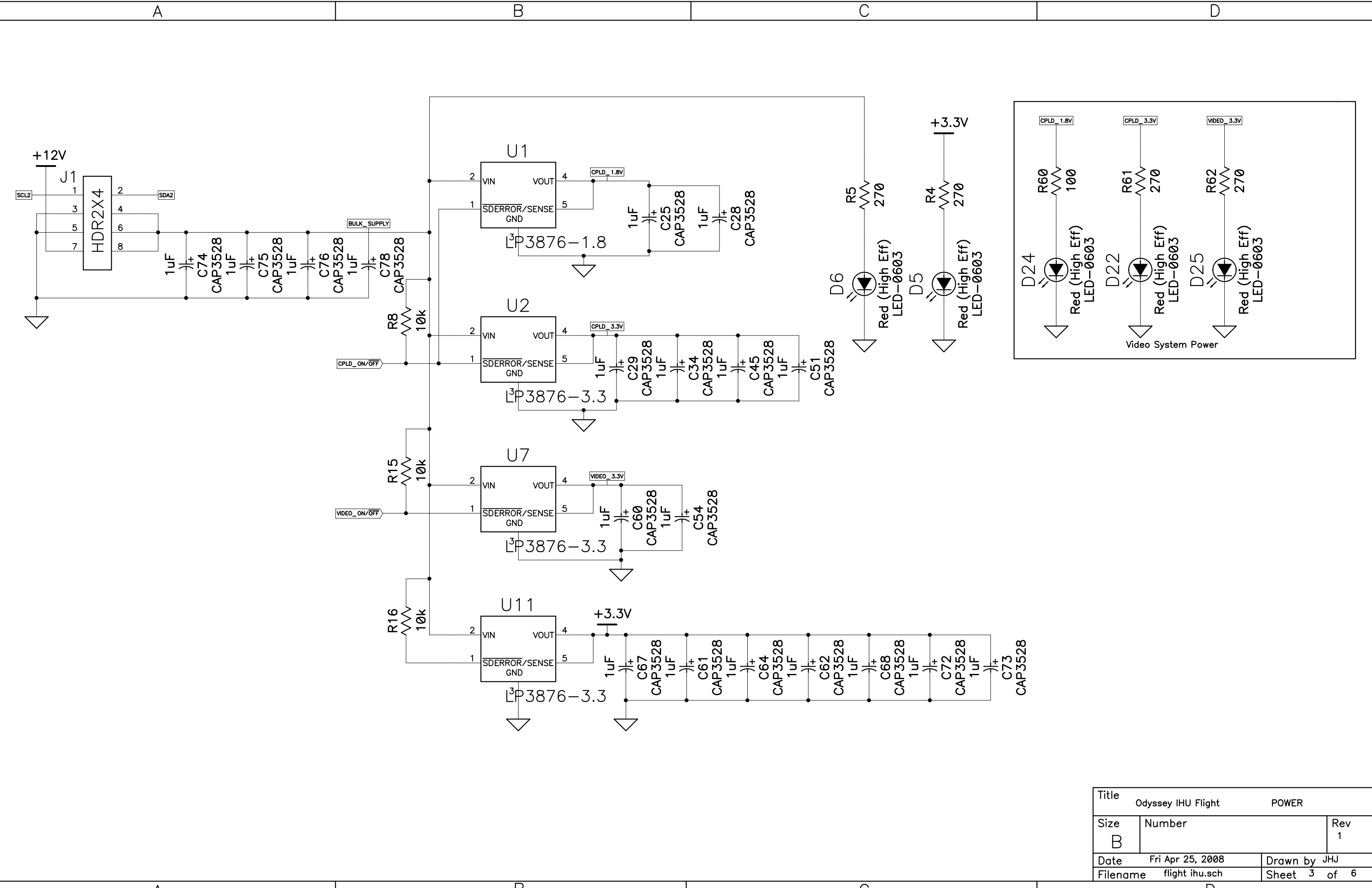


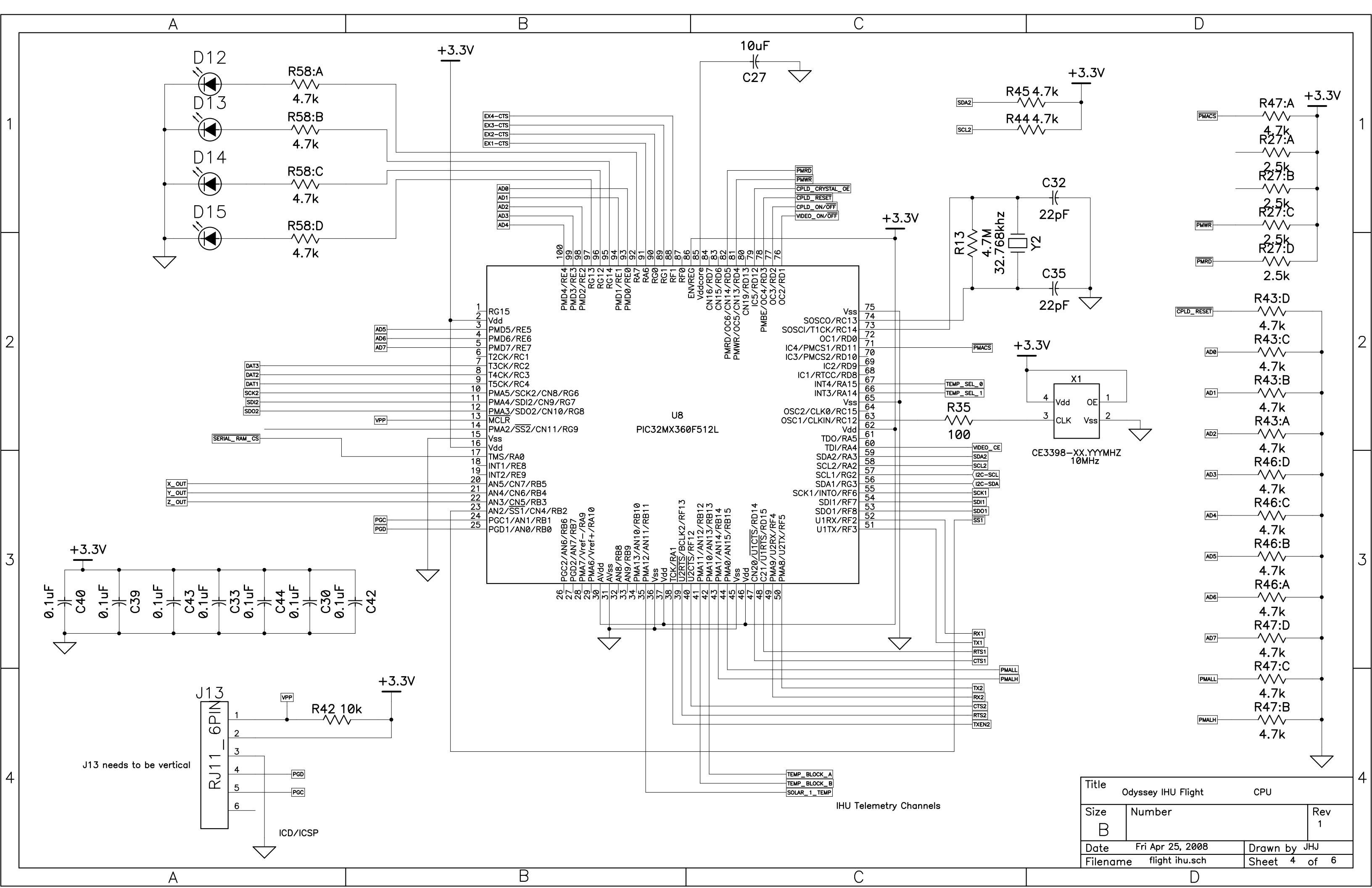
Title		Odyssey IHU Flight		CPLD	
Size	B	Number		Rev	1
Date	Fri Apr 25, 2008			Drawn by	JHU
Filename	flight ihu.sch			Sheet	1 of 6



Title		Odyssey IHU Flight	VIDEO
Size	Number		Rev
B			1
Date	Fri Apr 25, 2008	Drawn by JHU	
Filename	flight ihu.sch	Sheet 2 of 6	



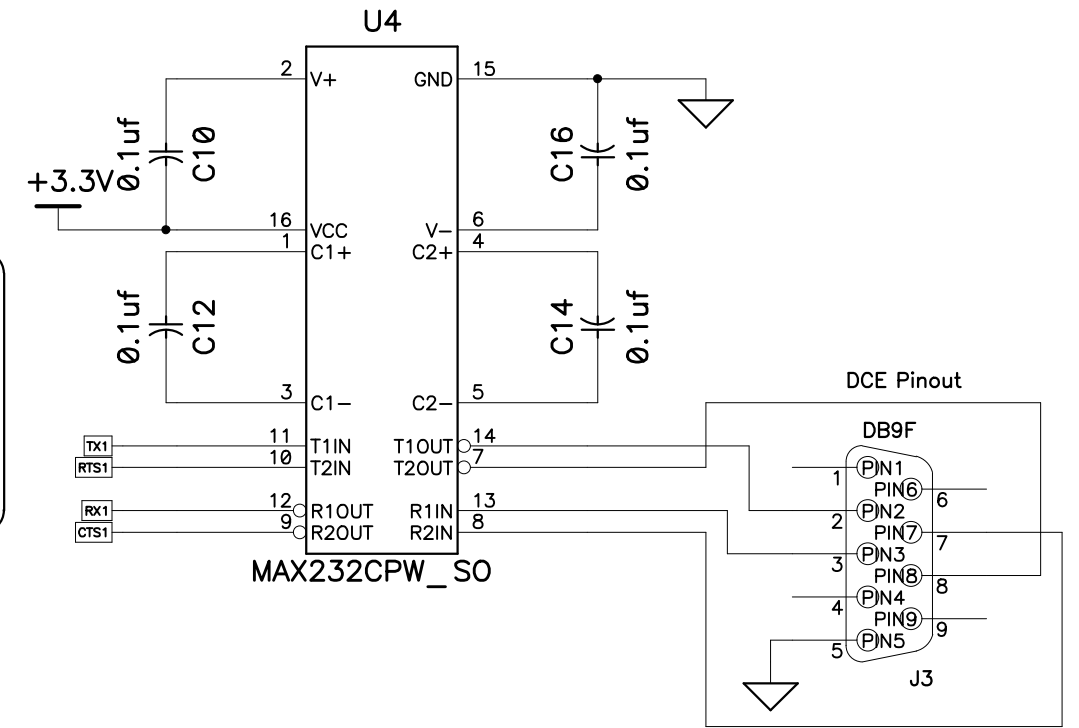
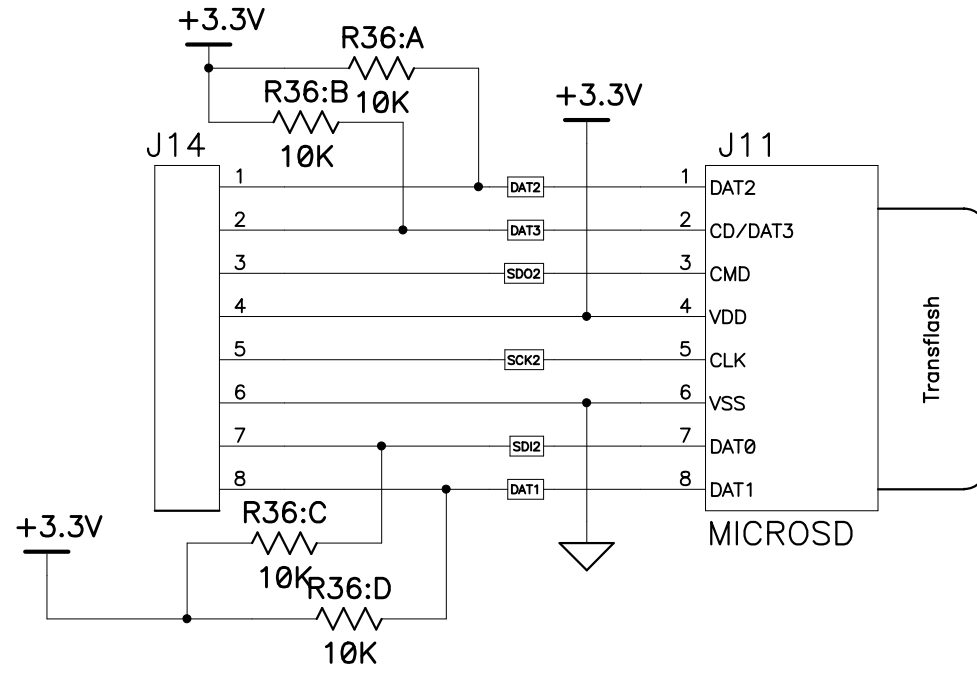
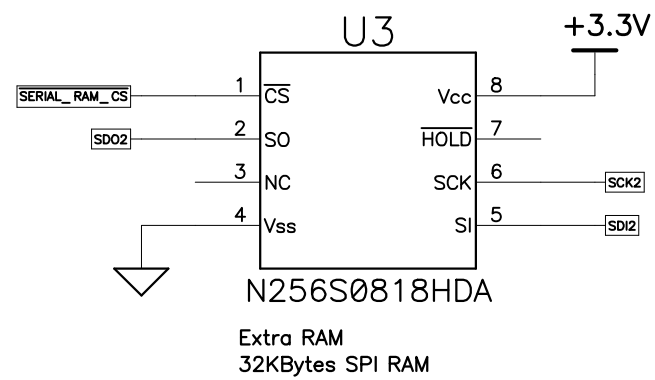
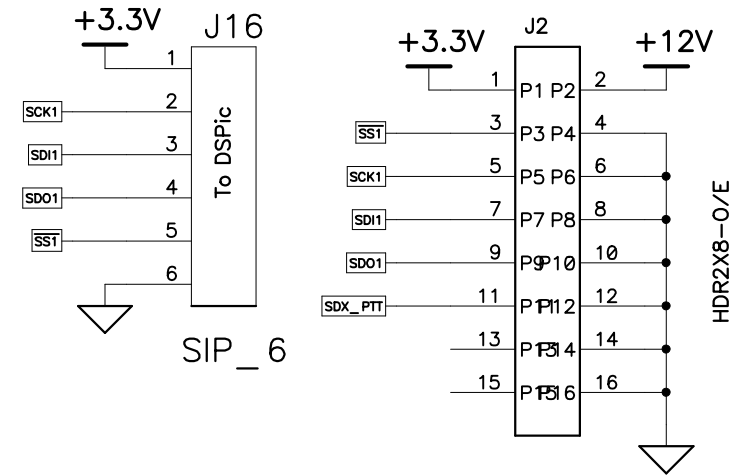
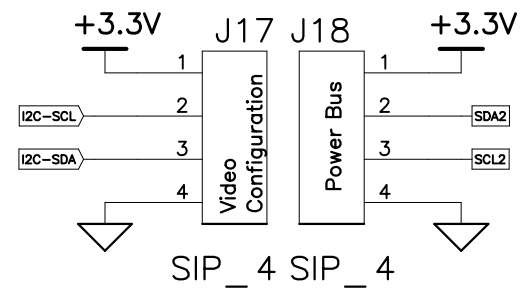
Title		Odyssey IHU Flight		POWER	
Size	Number			Rev	1
Date	Fri Apr 25, 2008			Drawn by	JHU
Filename	flight ihu.sch			Sheet	3 of 6



J13 needs to be vertical

IHU Telemetry Channels

Title		Odyssey IHU Flight	CPU
Size	B	Number	Rev 1
Date	Fri Apr 25, 2008		Drawn by JHU
Filename	flight ihu.sch		Sheet 4 of 6



Title		Odyssey IHU Flight	SERIAL
Size	Number	Rev	
B		1	
Date	Fri Apr 25, 2008	Drawn by JHU	
Filename	flight ihu.sch	Sheet 5 of 6	

A

B

C

D

1

1

2

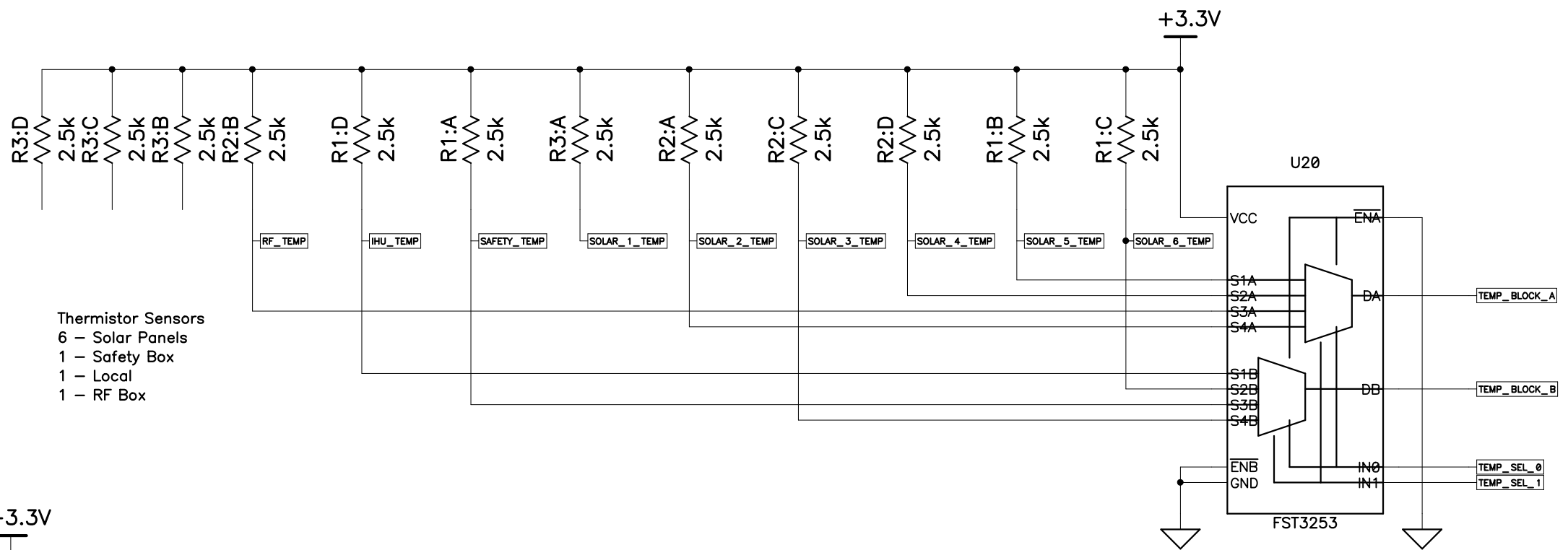
2

3

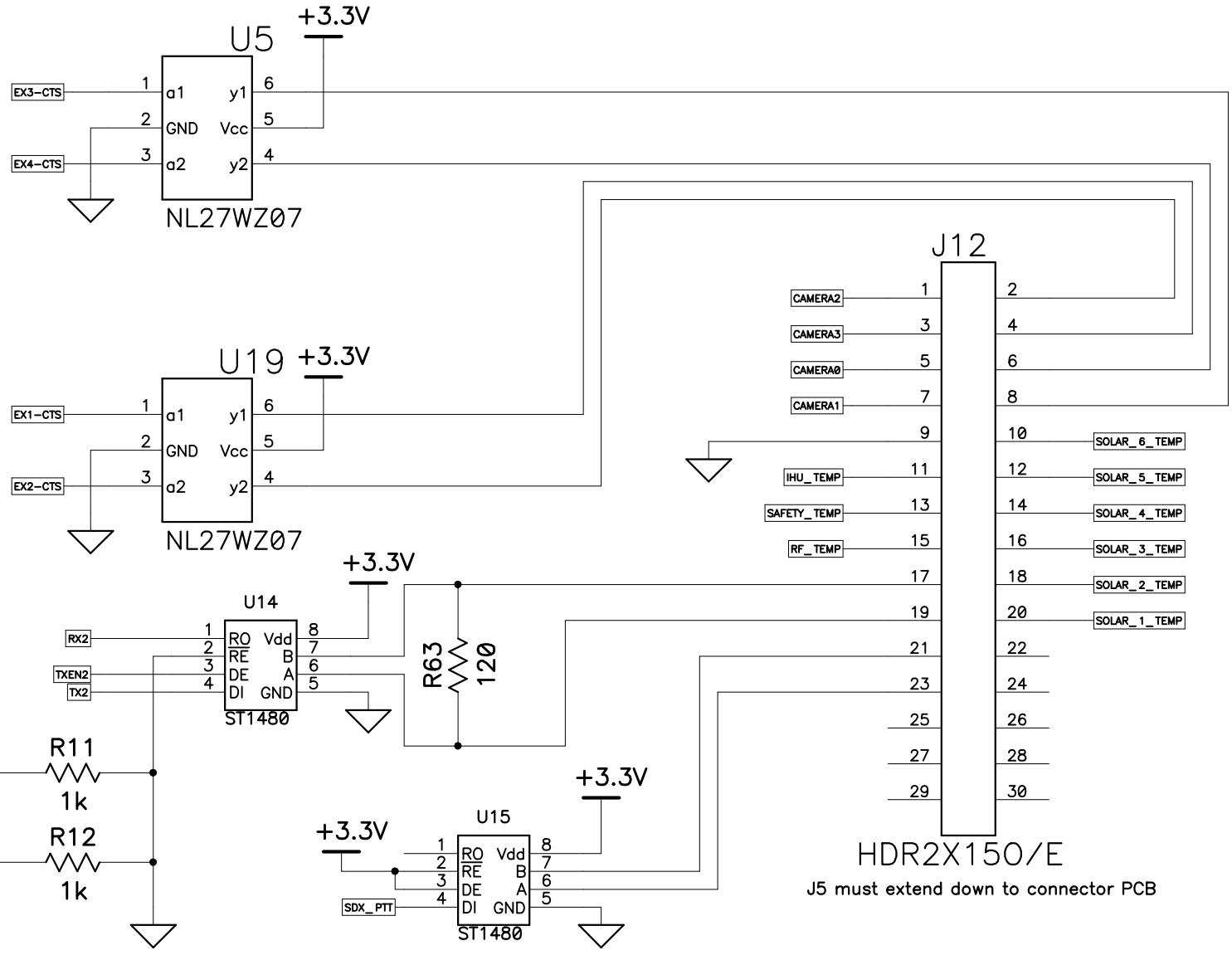
3

4

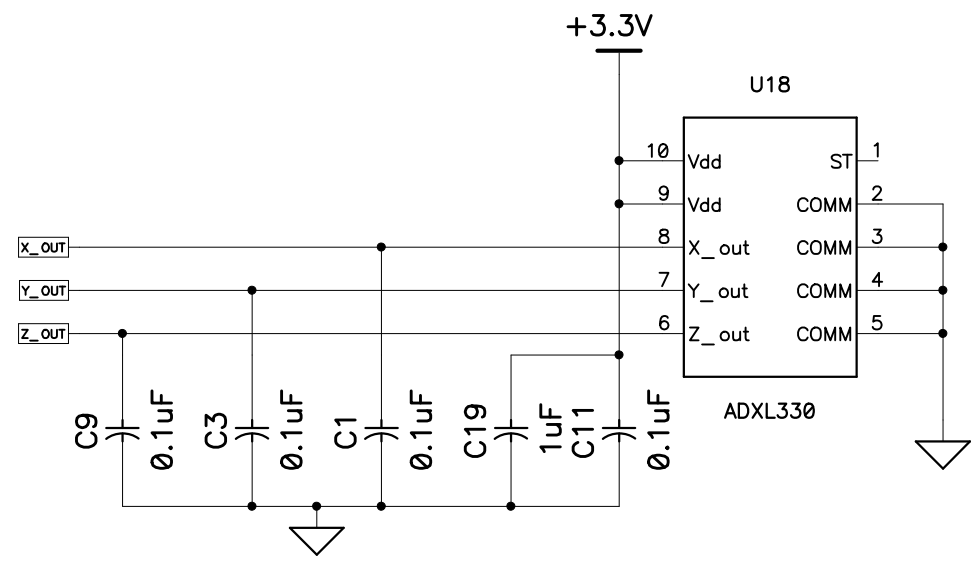
4



Thermistor Sensors  
 6 - Solar Panels  
 1 - Safety Box  
 1 - Local  
 1 - RF Box



HDR2X150/E  
 J5 must extend down to connector PCB



Title		Odyssey IHU Flight	experiments
Size	B	Number	Rev 1
Date	Fri Apr 25, 2008		Drawn by JHU
Filename	flight ihu.sch		Sheet 6 of 6