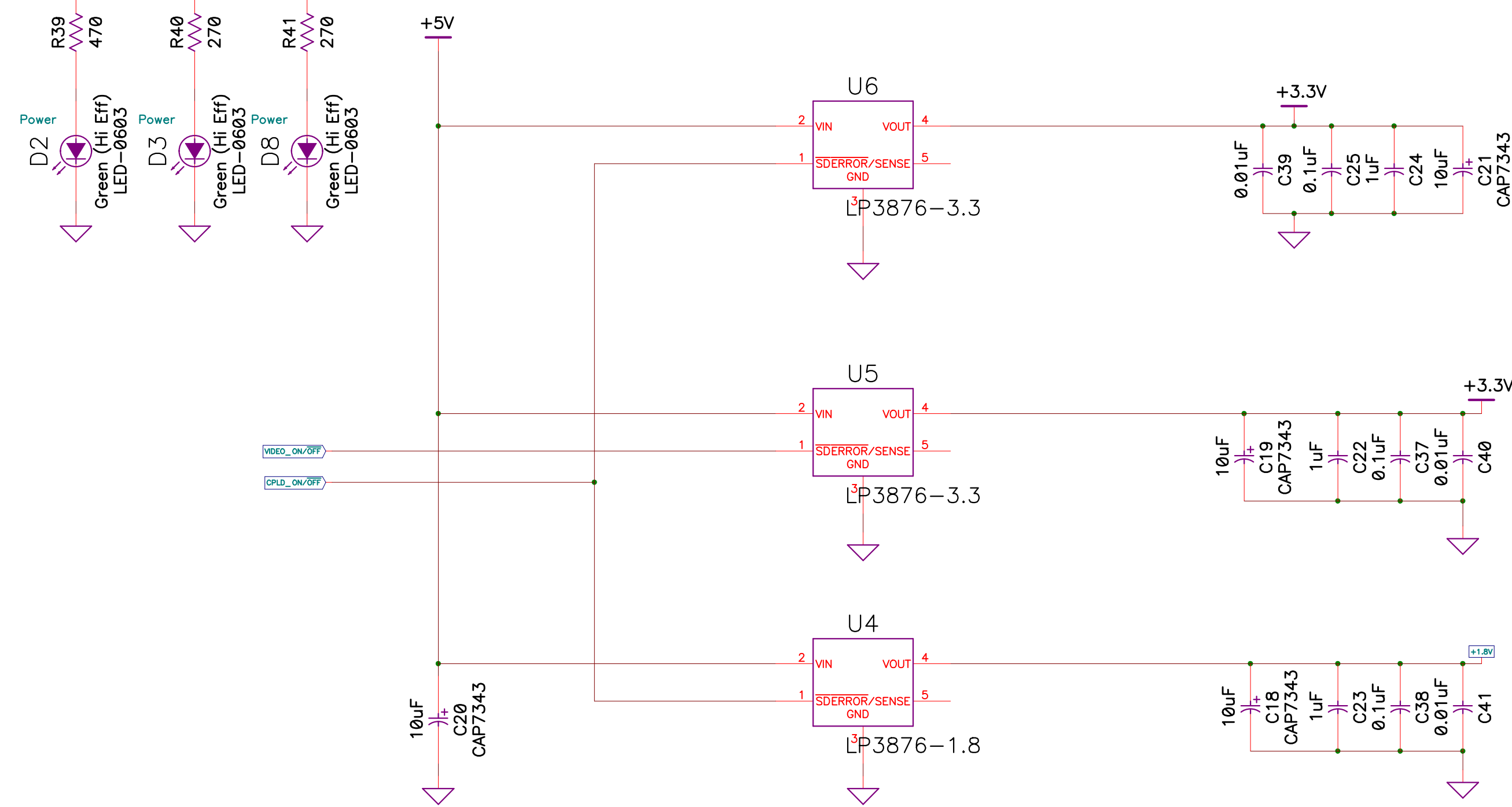


-5V    -12V    +5V    +3.3V    +3.3V\_AN



Title		Odyssey Cyclops    POWER	
Size	Number	Rev	
B		1	
Date	Mon Sep 18, 2006	Drawn by	JHJ
Filename	odyssey video.sch	Sheet	3 of 5